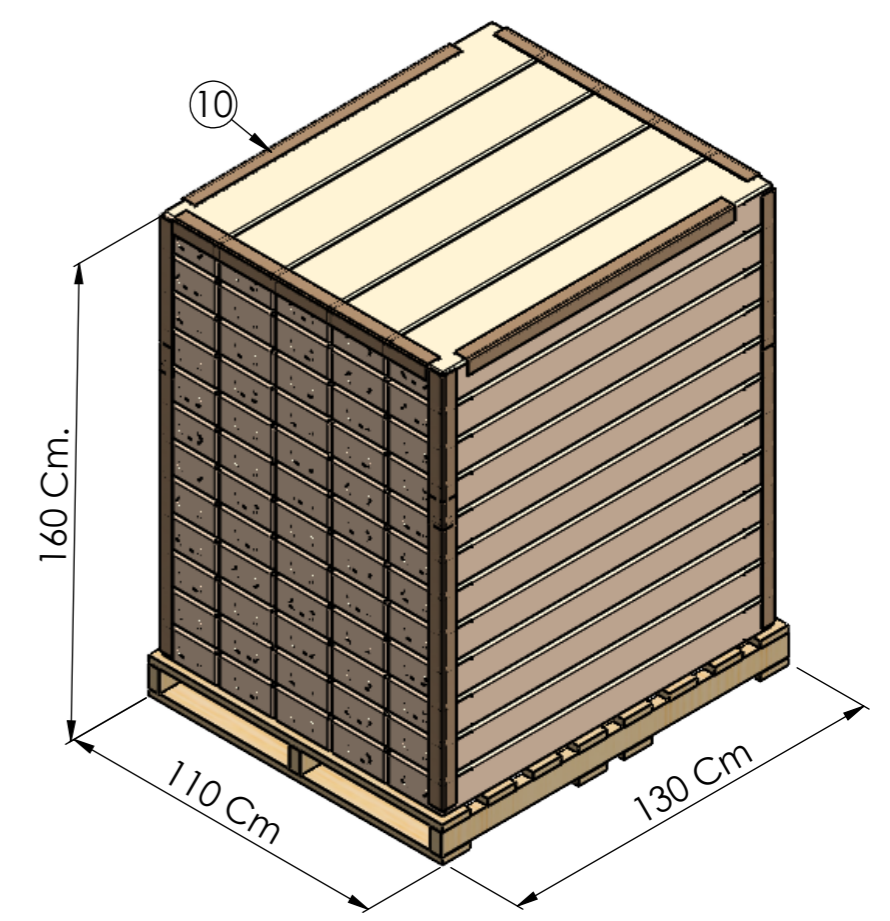
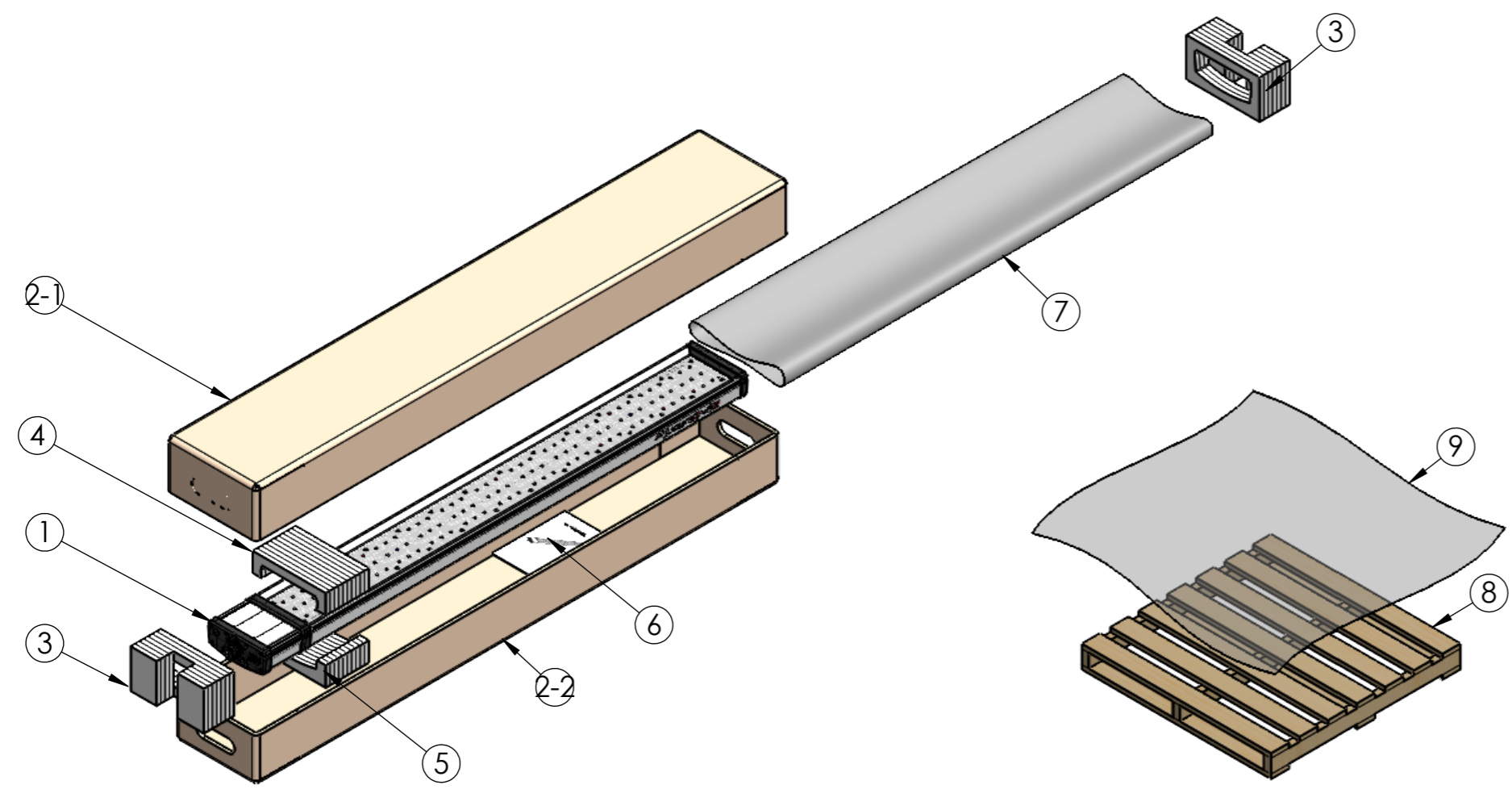


REVISIONS			
REV.	DESCRIPTION	DATE	APPROVED
A	INITIAL	18/02/2021	



Isometric view scale 1 : 10  
 Carton Box size : W21.0 x L124.0 x H12.0 Cm<sup>3</sup>  
 Net weight : 6.5 Kg. Gross weight : 7.7 Kg.

Dimension on Pallet : W110 x L130 x H160 Cm<sup>3</sup>  
 Gross weight : 480 Kg.  
 Remark: Do not stack more than 12 High

ITEM	PART NUMBER	DESCRIPTION	QTY	REMARK
1	R-DW-AS-082	AVICI VERTICAL BAR LIGHT	1	
2-1	R-DW-PK-097	Carton box for AVICI-V (Top cover)	1	
2-2	R-DW-PK-097	Carton box for AVICI-V (Body)	1	
3	R-DW-PK-098-1	EPE foam Front,Back for AVICI Bar Light	2	
4	R-DW-PK-098-2	EPE foam middle top for AVICI Bar Light	1	
5	R-DW-PK-098-3	EPE foam middle top for AVICI Bar Light	1	
6	R-DW-PT-019	Instruction manual for AVICI Bar Light	1	
7	SUBMAT-S590530	Plastic Bag 30uMx2 , W25 cm x L150 cm	1	
8	-	Wooden Pallet 110 x130 x13 Cm	1/60	
9	PACKGE-P060012	Stretch film	-	
10	-	Angle Board	-	

CUSTOMER signature and date: <b>Greg Richter</b>	THIRD ANGLE PROJECTION 	DESIGN signature and date: <b>Tikumporn</b>	DRAWN signature and date: <b>Tikumporn</b>	CHK'D signature and date: <b>Sorakrai</b>	APPV'D signature and date: <b>Somchai</b>	DIMENSIONS ARE IN MILLIMETERS		FINISH:	<b>R(evolution)<sup>2</sup></b>
						DWG NO. <b>R-DW-PK-096</b>	DWG. Date 18/02/2021	TITLE : <b>AVICI-V LED bar Light Packing</b>	
						MATERIAL :	<b>1:10</b>		